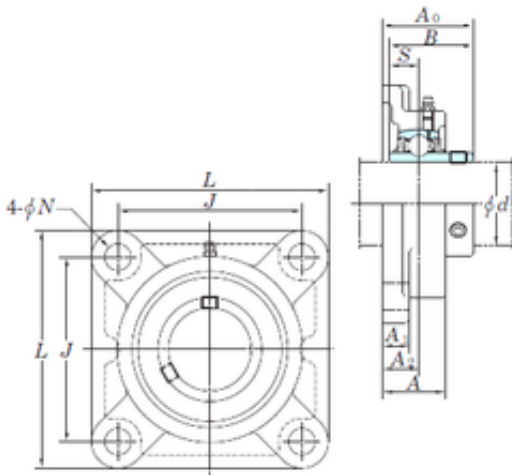




NACHI BEARINGS OF AMERICA CORP.



KOYO UCFX08E bearing units

Bearing No. UCFX08E

Bore Diameter	40 mm
d	40 mm
A0	52,2 mm
A	40 mm
A1	14 mm
B	49,2 mm
J	105 mm
L	137 mm
N	15 mm
S	19 mm
Bolt (G)	1/2
A2	22 mm
Weight	2,4 Kg
Basic dynamic load rating (C)	34,1 kN
Basic static load rating (C0)	21,3 kN

UCFX08E Bearing 2D drawings and 3D CAD models